

medeco cam locks



*ASSA ABLOY, the global leader
in door opening solutions*

medeco
HIGH SECURITY LOCKS
ASSA ABLOY

Medeco Cam Locks

A Proven Reputation for High Security

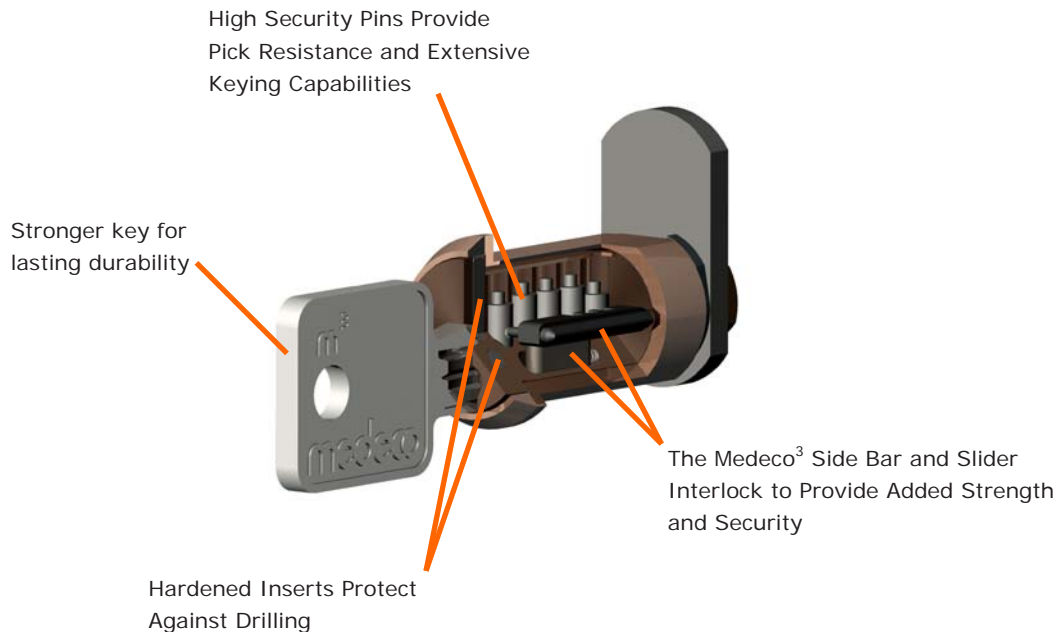
Medeco® high security cam locks are well recognized throughout the world as the standard for security in a wide variety of applications. All Medeco cam locks feature the unique cylinder design that provides security and flexibility.

Medeco cam locks are available in a wide variety of sizes and functions to meet your specific needs. Locks can be keyed different, keyed alike, or master keyed.



Medeco³ - Patent Protection and Physical Strength

The unique Medeco³ design provides triple locking action, making the locks virtually pick proof. All Medeco³ keys and locks are protected under patent and trademark laws. Medeco³ keys may only be duplicated by Medeco or by a Medeco authorized sales outlet, and only at your request.



Key Control

Key control is often the most important feature that Medeco® can offer. Most ordinary keys can be duplicated at numerous retail outlets with no identification required. Medeco gives end users the power to control key duplication and protect against unauthorized copies.



Several factors contribute to the strength of Medeco key control:

1. Patent protected designs protect against unauthorized manufacturing and distribution of Medeco key blanks.
2. Key cutting services are performed only by Medeco suppliers under contractual agreements with Medeco to uphold strict key security guidelines.
3. Medeco keys require precise angled cuts which cannot be reproduced on ordinary key machines. Key blanks are available only to authorized Medeco suppliers operating the proper equipment under contract with Medeco.
4. Medeco³ keys incorporate an additional factory cut on all key blanks. These cuts are required to operate a Medeco³ cylinder and are performed only at the Medeco factory in Salem, Virginia.

A wide variety of key control programs are available to provide manufacturers, distributors, and end users options that best meet their needs. All programs fall under the strict key control guidelines to provide ongoing security.

Commercial Keyway Programs - give end users flexibility for obtaining extra keys by allowing key duplication at a wide variety of professional outlets including authorized locksmiths.

Card Programs - offer end users greater control over key duplication. Identification cards issued with the original keys must be presented by authorized personnel to obtain replacement / duplicate keys.

Service Center Programs - offer end users fast response when they need lock and keys. Factory Authorized Medeco Service Centers are full service distributors servicing a wide variety of industrial markets. Key control programs are strictly upheld and duplicate keys are provided only with proper authorization.

Factory Restricted Programs - provide the highest level of security to end users. Keys are only duplicated at the Medeco factory and require proper authorization. Key blanks are not available to any Medeco resellers.

OEM Manufacturer Programs - are designed to meet the very specific needs of our OEM customers. Depending on the security needs of the end user these programs can range from Commercial up to Factory Restricted.

The right cam lock for the job

Medeco cam locks are available in several levels of security, allowing you to choose the level that best fits your needs.

High Security UL Listed

Medeco high security UL Listed cam locks are designed for applications that require the highest level of protection against physical attack. These locks feature solid machined brass cylinders with hardened inserts to protect against drilling, prying and other types of forced entry.

Available in: Medeco³, Biaxial and Original Medeco Keyway Technologies



Solid Brass Non-UL Listed

Similar to the high security UL Series, the non-UL listed cam lock range is manufactured from solid brass to provide durability and lasting performance. These locks incorporate the same high security operating design found in the UL Listed products without the added cost of hardened drill-resistant features.

Solid brass, Non-UL cam locks are ideal for applications key control and durability are needed but the threat of extreme physical attack is low.

Available in: Medeco³, Biaxial and Original Medeco Keyway Technologies



MVP Series

Medeco® MVP cam locks are designed to offer a cost effective solution without compromising on key control and pick resistance. MVP cam locks are manufactured from high density zinc die cast, and offer the same key control advantages as well as pick resistance of standard Medeco 60 series cam locks.

Available in: Biaxial and Original Medeco Keyway Technologies Only



Removable Core Cam Locks

Medeco cam locks are also available with a Removable Core feature. This allows the core of the lock to be changed quickly, providing an entirely new combination. Removable Core cam locks are recommended for applications where immediate action is required when keys are lost or stolen.

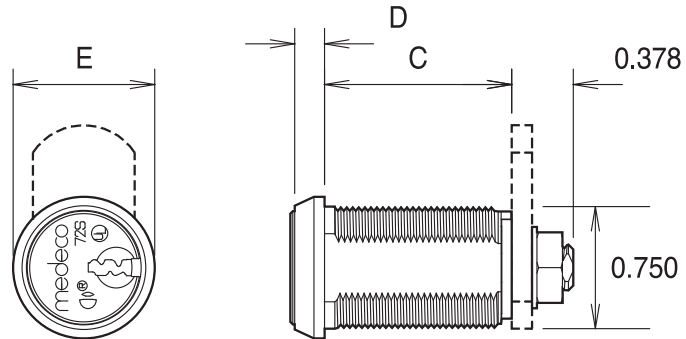
Available in: Medeco³, Biaxial, DuraCam, and Original Medeco Keyway Technologies



Medeco Cam Locks

High Security Series – UL Listed

Solid brass construction with hardened inserts for added drill resistance



Fixed Core Cam Locks

Model #	"C" - Body Length	"D" - Head Thickness	"E" - Head Diameter	Number Of Tumblers
60*1251 T	0.620	0.183	0.865	3
	5/8	3/16	7/8	
60*0850 T	0.615	0.337	0.865	4
	5/8	3/8	7/8	
60*1150 T	0.625	0.497	0.990	5
	5/8	1/2	1	
60*0550 T	0.870	0.183	0.865	4
	7/8	3/16	7/8	
60*0350 T	0.857	0.265	0.865	5
	7/8	1/4	7/8	
60*0650 T	1.145	0.183	0.865	5
	1-1/8	3/16	7/8	
60*1450 T	1.526	0.183	0.865	5
	1 1/2	3/16	7/8	
60*1452 T	1.992	0.265	0.865	5
	2	1/4	7/8	

Removable Core Cam Locks (7-Series)

Model #	"C" - Body Length	"D" - Head Thickness	"E" - Head Diameter	Number Of Tumblers
60*7155 T	0.688	0.640	0.995	4
	11/16	5/8	1	
60*7255 T	0.910	0.418	0.995	4
	7/8	7/16	1	
60*7355 T	1.145	0.183	0.865	4
	1-1/8	3/16	7/8	

Removable Core Cam Locks are available in Key Retaining functions only

Solid Brass Series – Non UL Listed

Solid brass cylinder and shell construction, without hardened inserts

Model #	Body Length	Head Thickness	Head Diameter	Number Of Tumblers
60*61555T	0.625	0.497	0.990	5
	5/8	1/2	1	
60*63555T	0.857	0.265	0.865	5
	7/8	1/4	7/8	
60*65555T	1.145	0.183	0.865	5
	1 1/8	3/16	7/8	

MVP Series

Zinc construction for security at an economical price

Model #	Body Length	Head Thickness	Head Diameter	Number Of Tumblers
80W1251 T	0.620	0.183	0.870	3
	5/8	3/16	7/8	
80W0650 T	1.145	0.183	0.870	5
	1 1/8	3/16	7/8	

Medeco Cam Lock Part Number Configuration

Model Number	Operation Code	Finish	Keyway	"Cam Lock Operation Code" - Describes the function of the lock - Direction of key turn, rotation, key retaining or two key-pull.
XX*XXXXX	XXX	26	XX	

Cam Lock Operation Codes

Describes the function of the lock

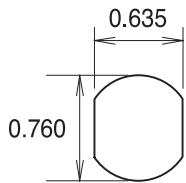
Operation Code	Rotation Distance	Direction To Unlock	Key Retaining or 2 Key Pull
219	90°	Clockwise	Key Retaining
229	90°	Clockwise	2 Key Pull
239	90°	Counter-clockwise	Key Retaining
249	90°	Counter-clockwise	2 Key Pull
259	180°	Clockwise	Key Retaining
269	180°	Clockwise	2 Key Pull
279	180°	Counter-clockwise	Key Retaining
289	180°	Counter-clockwise	2 Key Pull

Note: **Key Retaining** - Key is removable in the locked position only
 2 Key Pull - Key is removable in both the locked and unlocked positions

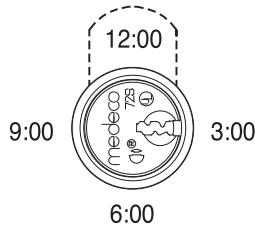
Mounting Hole Specifications - Keyway and Cam Positions

Hole Prep #1 - with Vertical Mounting Flats

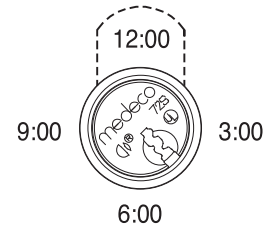
For key retaining operations the keyway will be in the horizontal position when locked. In two pull, 90 degree turn operations, the keyway will be at a 45 degree angle when locked. Keyway shown in locked position for operation codes listed.



Op. Codes:
219 269
239 279
259 289



Op. Codes:
229
(249 Un-
Locked)



Cam Type

Cam Type

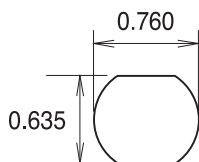
Cam type required for
Locked Position at:

12:00 or 6:00: A, H
3:00 or 9:00: D, J

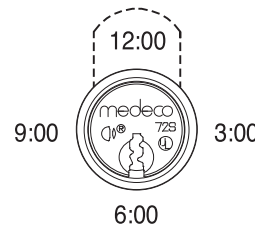
12:00 or 6:00: C, P, S
3:00 or 9:00: C, P, S

Hole Prep #2 - with Vertical Mounting Flats

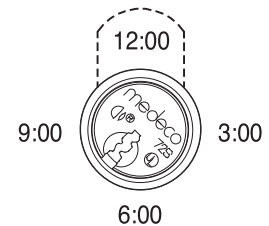
For key retaining operations the keyway will be in the horizontal position when locked. In two pull, 90 degree turn operations, the keyway will be at a 45 degree angle when locked. Keyway shown in locked position for operation codes listed.



Op Codes:
219 269
239 279



Op Codes:
229
(249 Un-
Locked)



Cam Type

Cam Type

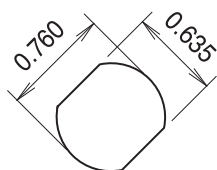
Cam type required for
Locked Position at:

12:00 or 6:00: D, J
3:00 or 9:00: A, H

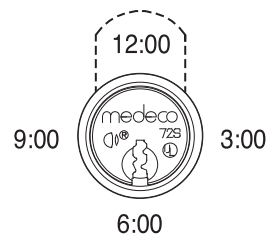
12:00 or 6:00: C, P, S
3:00 or 9:00: C, P, S

Hole Prep #3 - Alternate Mounting Flats for 229 and 249 Operation Code, Keyway Shown in Locked Position

This prep is primarily used for 90 degree two pull operations to align the keyway in the vertical or horizontal position when locked or unlocked. Keyway shown in locked position for operation codes listed.



Op Codes:
229
(249 Un-Locked)



Cam Type

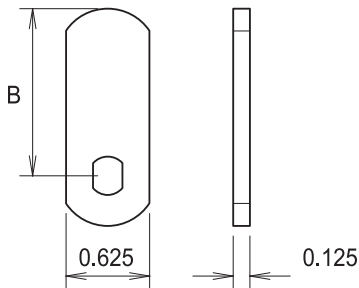
Cam type required for Locked Position at:

12:00 or 6:00: D, J
3:00 or 9:00: A, H

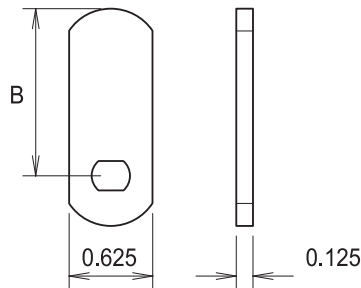
Cam Selection

Flat Cams

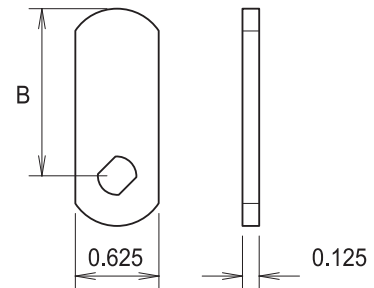
CT-A Series,
Flat Cam
Parallel Mounting



CT-D Series,
Flat Cam
Perpendicular Mounting



CT-C Series,
Flat Cam
45° Angle Mounting

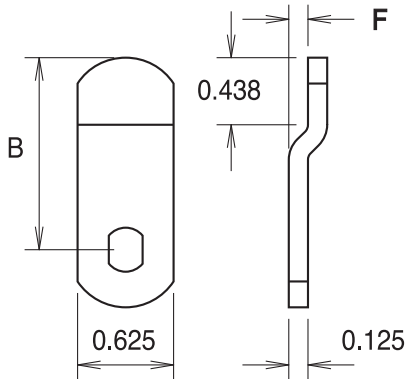


B - Length	Part #	B - Length	Part #	B - Length	Part #
0.625	CT-A00	0.625	CT-D00	0.625	CT-C00
0.750	CT-A01	0.750	CT-D01	0.750	CT-C01
0.875	CT-A02	0.875	CT-D02	0.875	CT-C02
1.000	CT-A03	1.000	CT-D03	1.000	CT-C03
1.125	CT-A04	1.125	CT-D04	1.125	CT-C04
1.250	CT-A05	1.250	CT-D05	1.250	CT-C05
1.375	CT-A06	1.375	CT-D06	1.375	CT-C06
1.500	CT-A07	1.500	CT-D07	1.500	CT-C07
1.750	CT-A09	1.750	CT-D09	1.750	CT-C09
2.000	CT-A11	2.000	CT-A11	2.000	CT-C11
2.250	CT-A13	2.250	CT-D13	2.250	CT-C13
2.500	CT-A15	2.500	CT-D15	2.500	CT-C15
3.000	CT-A19	3.000	CT-D19	3.000	CT-C19

Cam Selection

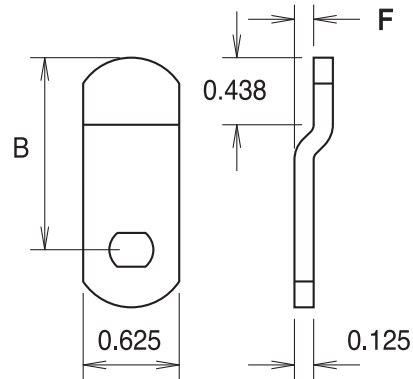
Offset Cams

CT-H Series, Offset Cam
Parallel Mounting



B - Length	F- Offset	Part #
1.125	0.125	CT-H09
1.125	0.156	CT-H26
1.125	0.219	CT-H07
1.125	0.313	CT-H16
1.250	0.125	CT-H00
1.250	0.156	CT-H28
1.250	0.219	CT-H15
1.250	0.313	CT-H17
1.500	0.125	CT-H33
1.500	0.156	CT-H34
1.500	0.219	CT-H14
1.500	0.313	CT-H32
1.750	0.125	CT-H11
1.750	0.156	CT-H06
1.750	0.219	CT-H30
1.750	0.313	CT-H19
2.000	0.125	CT-H12
2.000	0.156	CT-H05
2.000	0.219	CT-H25
2.000	0.313	CT-H20

CT-J Series, Offset Cam
Perpendicular Mounting

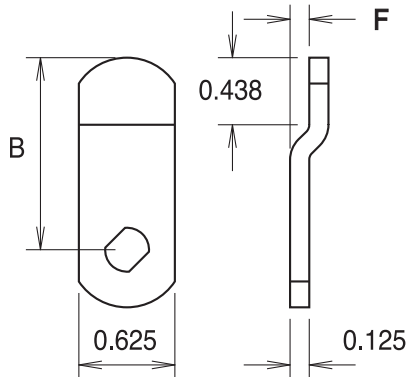


B - Length	F- Offset	Part #
1.125	0.125	CT-J06
1.125	0.156	CT-J22
1.125	0.219	CT-J01
1.125	0.313	CT-J13
1.250	0.125	CT-J07
1.250	0.156	CT-J00
1.250	0.219	CT-J12
1.250	0.313	CT-J14
1.500	0.125	CT-J04
1.500	0.156	CT-J31
1.500	0.219	CT-J30
1.500	0.313	CT-J27
1.750	0.125	CT-J09
1.750	0.156	CT-J24
1.750	0.219	CT-J20
1.750	0.313	CT-J16
2.000	0.125	CT-J10
2.000	0.156	CT-J25
2.000	0.219	CT-J26
2.000	0.313	CT-J17

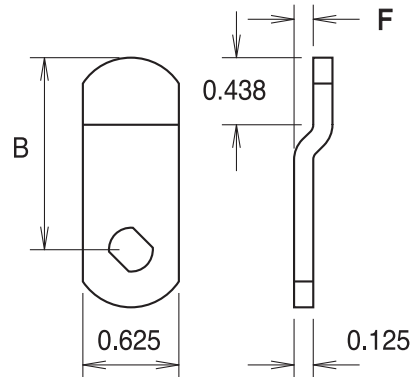
Cam Selection

Offset Cams

CT-P Series, Offset Cam
45 Degree Angle Mounting



CT-S Series, Offset Cam
45 Degree Angle Mounting, Reversed



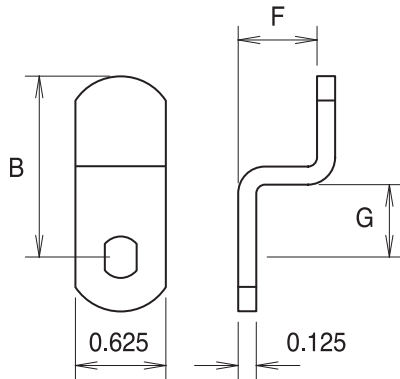
B - Length	F- Offset	Part #
1.125	0.125	CT-P10
1.125	0.156	CT-P02
1.125	0.219	CT-P08
1.125	0.313	CT-P17
1.250	0.125	CT-P03
1.250	0.156	CT-P27
1.250	0.219	CT-P16
1.250	0.313	CT-P00
1.500	0.125	CT-P31
1.500	0.156	CT-P32
1.500	0.219	CT-P15
1.500	0.313	CT-P30
1.750	0.125	CT-P12
1.750	0.156	CT-P07
1.750	0.219	CT-P29
1.750	0.313	CT-P20
2.000	0.125	CT-P13
2.000	0.156	CT-P06
2.000	0.219	CT-P26
2.000	0.313	CT-P21

B - Length	F- Offset	Part #
1.125	0.125	CT-S10
1.125	0.156	CT-S02
1.125	0.219	CT-S08
1.125	0.313	CT-S17
1.250	0.125	CT-S03
1.250	0.156	CT-S27
1.250	0.219	CT-S16
1.250	0.313	CT-S00
1.500	0.125	CT-S31
1.500	0.156	CT-S32
1.500	0.219	CT-S15
1.500	0.313	CT-S30
1.750	0.125	CT-S12
1.750	0.156	CT-S07
1.750	0.219	CT-S29
1.750	0.313	CT-S20
2.000	0.125	CT-S13
2.000	0.156	CT-S06
2.000	0.219	CT-S26
2.000	0.313	CT-S21

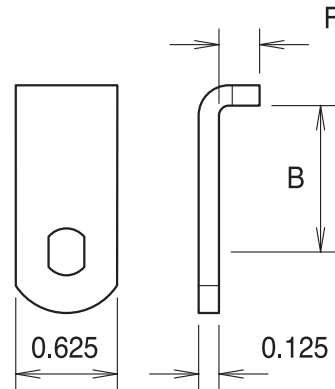
Cam Selection

Offset Cams - 90 Degree Offset

CT-G Series,
90 Degrees Offset Cam



CT-K Series,
90 Degree Bent Cam



B - Length	F- Offset	G - Bend	Type	Part #
0.750	1.000	0.250	1	CT-G02
0.850	0.670	0.400	1	CT-G05
0.875	0.312	0.438	1	CT-G09
0.875	0.312	0.438	2	CT-G51
0.875	0.500	0.400	1	CT-G07
1.125	0.451	0.437	2	CT-G55
1.125	0.451	0.500	1	CT-G11
1.250	0.542	0.356	3	CT-G98
1.250	0.546	0.500	1	CT-G03
1.250	0.546	0.500	3	CT-G99
1.375	0.546	0.750	1	CT-G04
1.500	0.500	0.562	1	CT-G06
1.500	0.500	0.562	2	CTG56
1.500	0.546	0.750	1	CT-G01
1.500	0.546	0.750	2	CT-G53
1.500	0.562	0.562	1	CT-G08
1.625	0.451	0.437	2	CT-G57

B - Length	F- Offset	Type	Part #
0.437	0.594	1	CT-K13
0.470	0.250	1	CT-K12
0.700	0.420	1	CT-K02
0.750	0.375	3	CT-K15
0.750	0.650	1	CT-K05
0.875	0.250	1	CT-K10
0.900	0.250	1	CT-K14
0.937	0.405	1	CT-K01
1.279	0.276	1	CT-K07
1.312	0.578	1	CT-K08
1.312	0.578	3	CT-K09
1.312	0.578	2	CT-K11
1.500	0.594	1	CT-K00
1.562	0.250	2	CT-K06



Parallel

Perpendicular

45° Angle

Mounting Type

Cam Lock Accessories

Hardened Security Collars

H - Head Diameter	I - Head Thickness	J - Offset	K - Collar Thickness	L - Collar Diameter	Part #
0.885	0.142	0.170	0.312	1.210	CP-070131
0.885	0.188	0.250	0.438	1.356	CP-070161
0.885	0.200	0.238	0.438	1.290	CP-070171
0.885	0.260	0.070	0.330	1.210	CP-070441
0.885	0.262	0.050	0.312	1.210	CP-070201
0.885	0.278	0.160	0.438	1.290	CP-070111
0.885	0.325	0.050	0.375	1.275	CP-070141
1.000	0.142	0.170	0.312	1.290	CP-070501
1.000	0.450	0.050	0.500	1.240	CP-070181
1.012	0.638	0.050	0.688	1.313	CP-070481

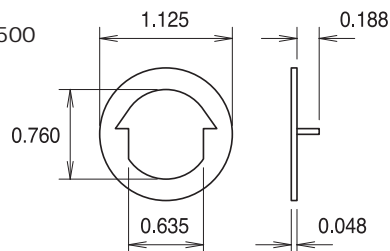
Spacer Rings

M - Head Diameter	N - Spacer Thickness	Part #
0.875	0.031	CP-160541
0.875	0.063	CP-160551
0.875	0.125	CP-160051
0.875	0.140	CP-160101
0.875	0.188	CP-160071
0.875	0.200	CP-160111
0.875	0.250	CP-160081
0.875	0.275	CP-160091
0.875	0.313	CP-160571
0.875	0.375	CP-160301
0.875	0.400	CP-160121
0.875	0.438	CP-160271
0.875	0.530	CP-160061
0.995	0.063	CP-160591
0.995	0.125	CP-160601
0.995	0.250	CP-160611

Anchor Washer

Provides double D mounting hole for 3/4" pre-drilled holes in wood or composite board.

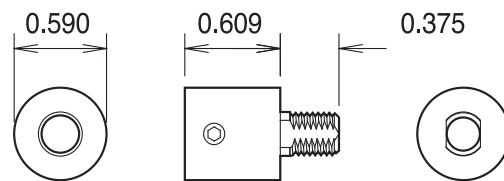
Part # CP-0400500



5/8" Cam Lock Extension

Adds 5/8" length to standard cam locks. Screw on attachment with set screw fastening.

Part # 96-0335-





Notes:

All measurements in inches.

Key Retaining - key is removable in the locked position only.

2 Key Pull - key is removable in both the locked and unlocked positions.

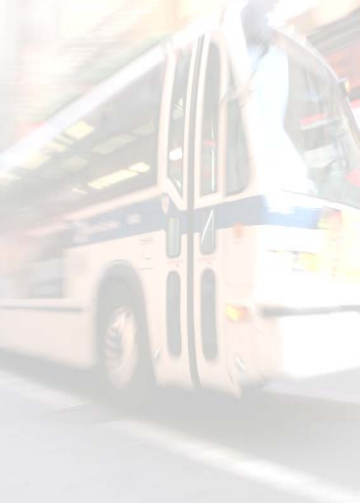
Standard models and lengths described. Alternate sizes and custom products may be available upon request. Please contact Medeco for additional details.

Standard finish is US26D, satin chrome. Alternate finishes may be available upon request.

MVP product not available in all Operation Codes.

Warranty: Medeco cam locks are warranted for two years against manufacturer's defects. See Medeco limited Warranty for full details.

For additional information on Medeco products please visit www.medeco.com or call Medeco toll-free at 1-800-839-3157.







Medeco U.S.:
3625 Alleghany Drive
P.O. Box 3075
Salem, Virginia 24153-0330
Customer Service: 1-800-839-3157

Medeco Canada: 141 Dearborn Place
Waterloo Ontario, Canada N2J 4N5
Customer Service: 1-888-633-3264

Medeco Montreal: 4141 rue Sere
Montreal, Quebec, Canada H4T 2A3
Customer Service: 1-888-327-2027

ASSA ABLOY is the
global leader in door
opening solutions,
dedicated to satisfying
end-user needs for
security, safety, and
convenience.

