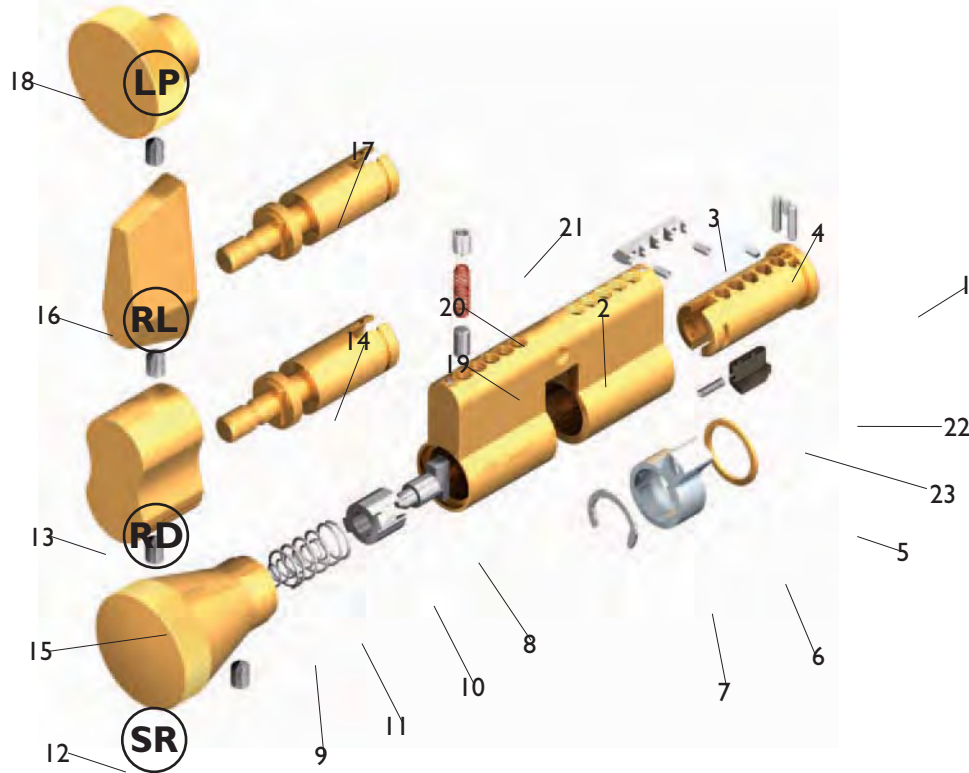
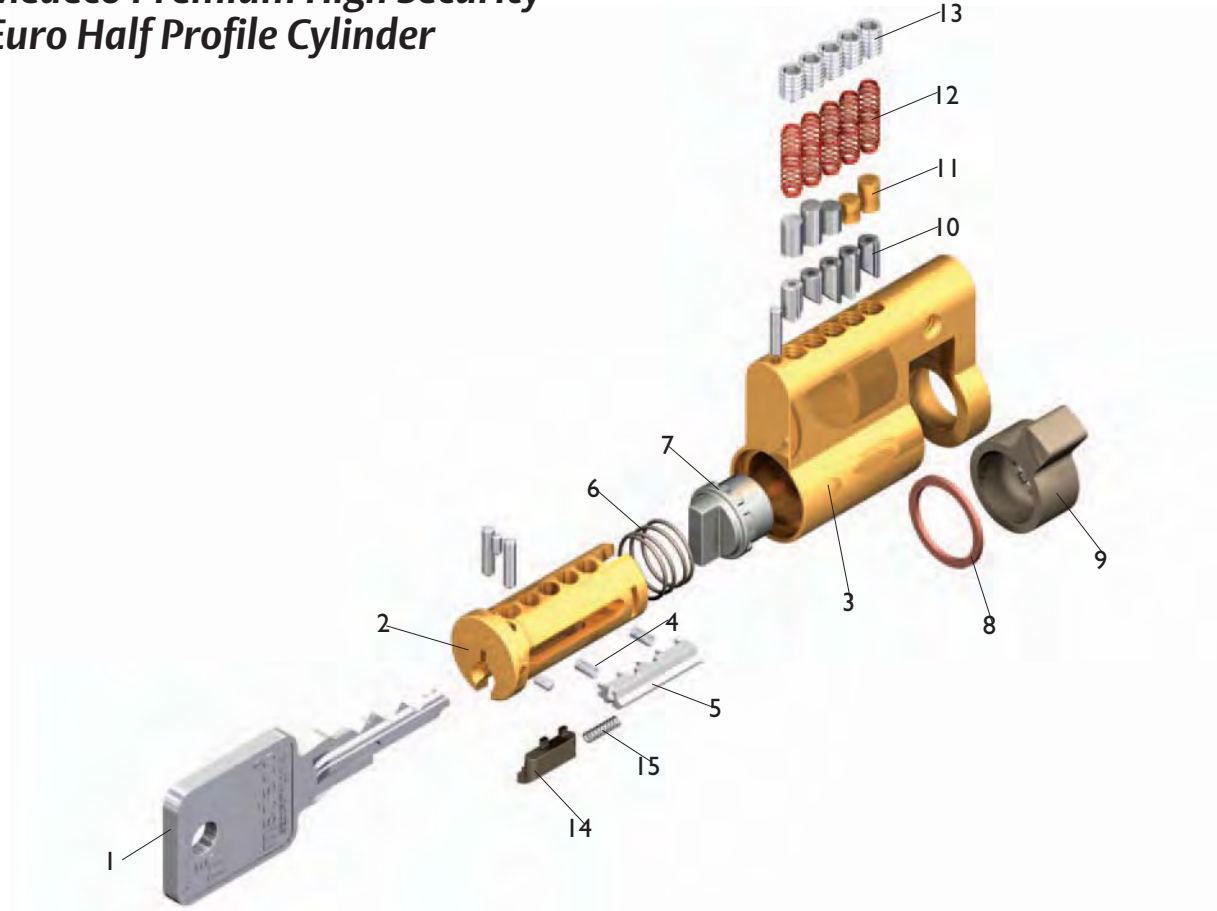


Medeco Premium High Security Euro Thumbturn Profile Cylinder



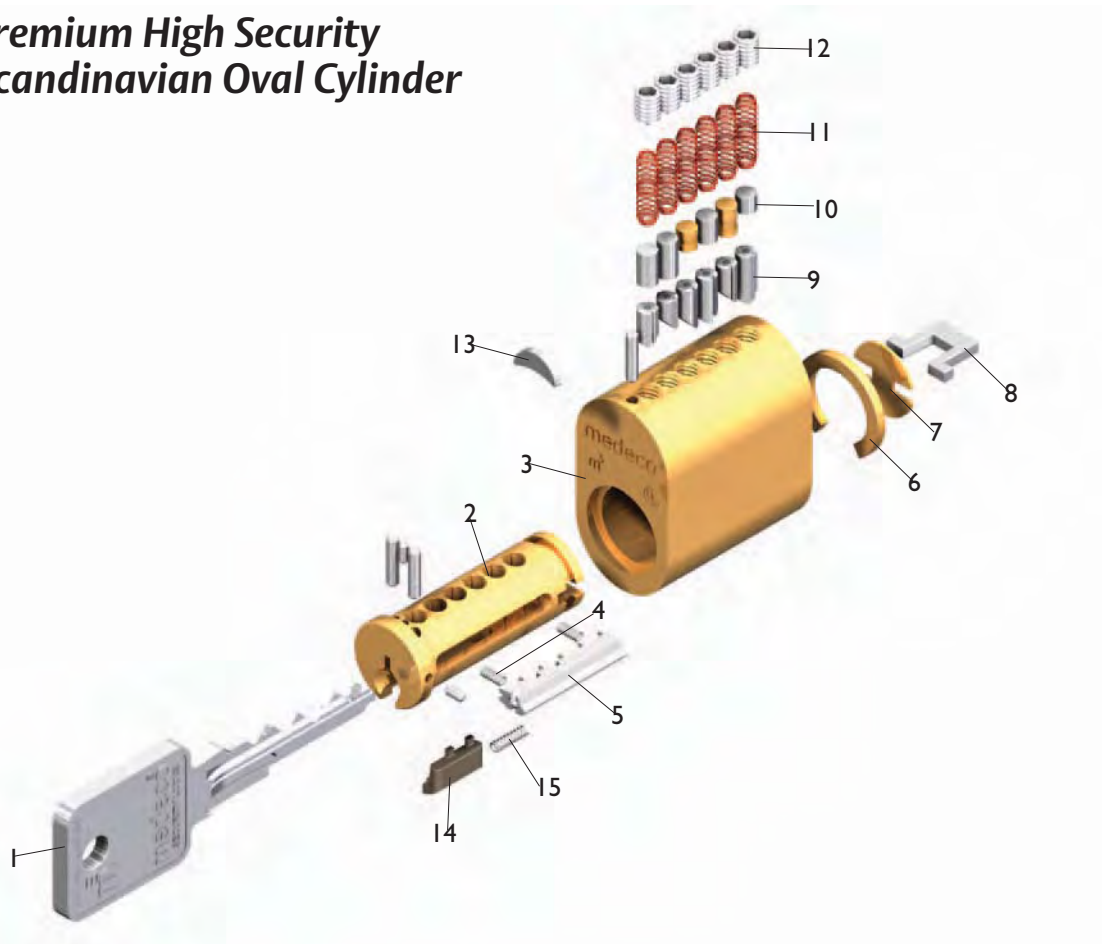
Item	Description	Part Number
1	Plug	Cylinder Specific
2	Shell	Cylinder Specific
3	Sidebar	CP-084X71
4	Sidebar Springs	CP-030018
5	Plug Retainer Ring	CP-021490
6	Cam	CT-Z51
7	Thumbturn Retaining Clip	CP-020031
8	Actuator	CP-100111
9	Actuator Spring	CP-030025
10	Actuator Pilot	CP-280261
11	Pilot Spring	CP-030024
12	Standard Round "SR" Thumbturn	CP-285961-FN
13	Decorative "RD" Thumbturn	CP-285901-FN
14	Thumbturn Shaft - 6 Pin	CP-240761-6XX
15	Thumbturn Allen Set Screw #6-32 x 3/16" Knurled Cup Point	CP-012411-040
16	Lever "RL" Thumbturn	CP-285931-FN
17	Thumbturn Shaft - 5 Pin	CP-240761-5XX
18	Low Profile "LP" Thumbturn	CP-285991-FN
19	Thumbturn Retaining Pin	TP-F10-1T
20	Thumbturn Retaining Pin Spring	CP-030001
21	Thumbturn Retaining Pin Allen Set Screw #8-32 x 1/4"	CP-011013-040
22	Slider	CP-084591-XX
23	Slider Spring	CP-030910
24	Spade Thumbturn (Not Pictured "Special Order")	CP-286051-FN
25	Crescent Thumbturn (Not Pictured "Special Order")	CP-286021-FN

Medeco Premium High Security Euro Half Profile Cylinder



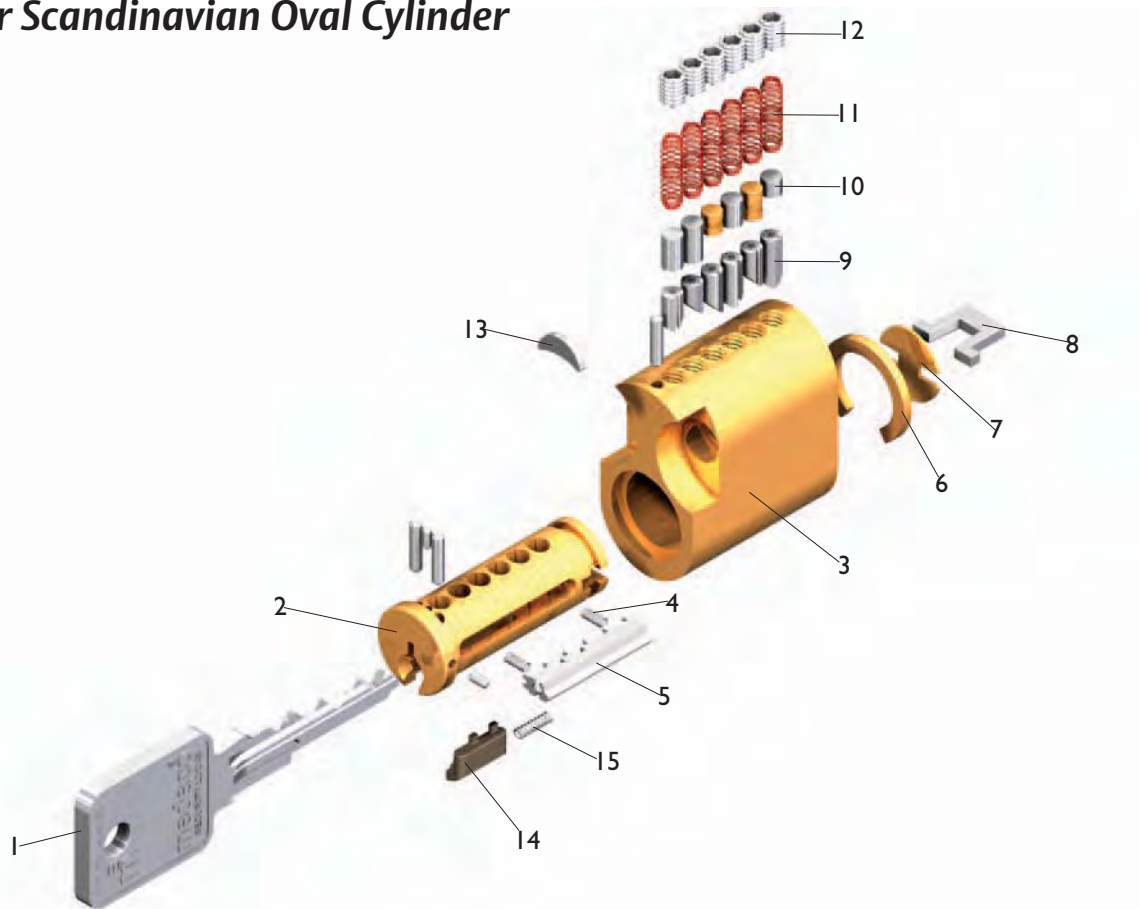
Item	Description	Part Number
1	Key	As Required
2	Plug	Cylinder Specific
3	Shell	Cylinder Specific
4	Sidebar Springs	CP-030018
5	Sidebar	CP-084X71
6	Cam Spring	CP-030860
7	Actuator	CP-220090
8	Plug Retainer	CP-021490
9	Cam	CT-Z88
10	Bottom Pins	As Required
11	Top Pins	As Required
12	Springs (Phosphor Bronze)	CP-030001
13	Pin Chamber Allen Set Screws #8-32 x 1/4"	CP-011013-040
14	Slider	CP-084591-XX
15	Slider Spring	CP-030910

Medeco Premium High Security Exterior Scandinavian Oval Cylinder



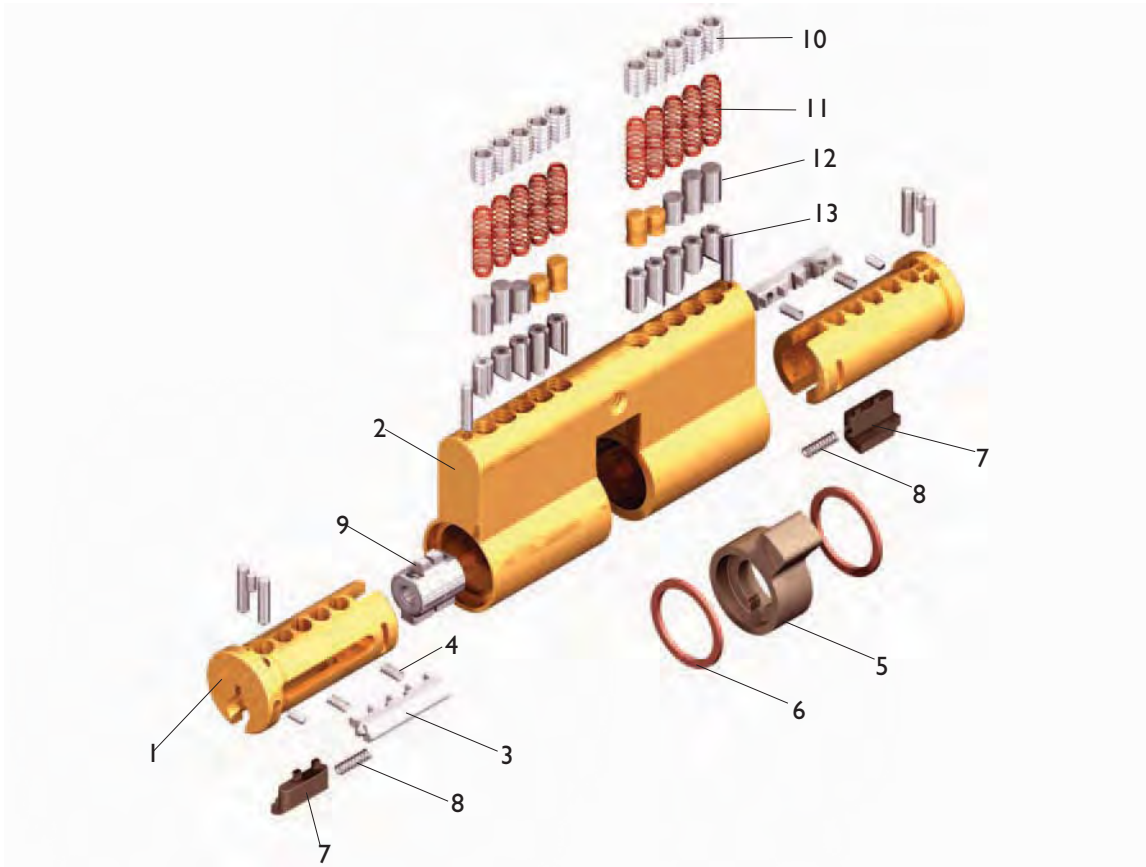
Item	Description	Part Number
1	Key	As Required
2	Plug	Cylinder Specific
3	Shell	Cylinder Specific
4	Sidebar Springs	CP-030018
5	Sidebar, 6 Pin	CP-084671
6	Plug Retainer	CP-021040
7	Plate	CP-180830
8	Tailpiece	CT-Y76
9	Bottom Pins	As Required
10	Top Pins	As Required
11	Springs (Phosphor Bronze)	CP-030001
12	Pin Chamber Allen Set Screws #8-32 x 1/4"	CP-011013-040
13	Crescent Steel Insert	CP-180011
14	Slider	CP-084591-XX
15	Slider Spring	CP-030910

Medeco Premium High Security Interior Scandinavian Oval Cylinder



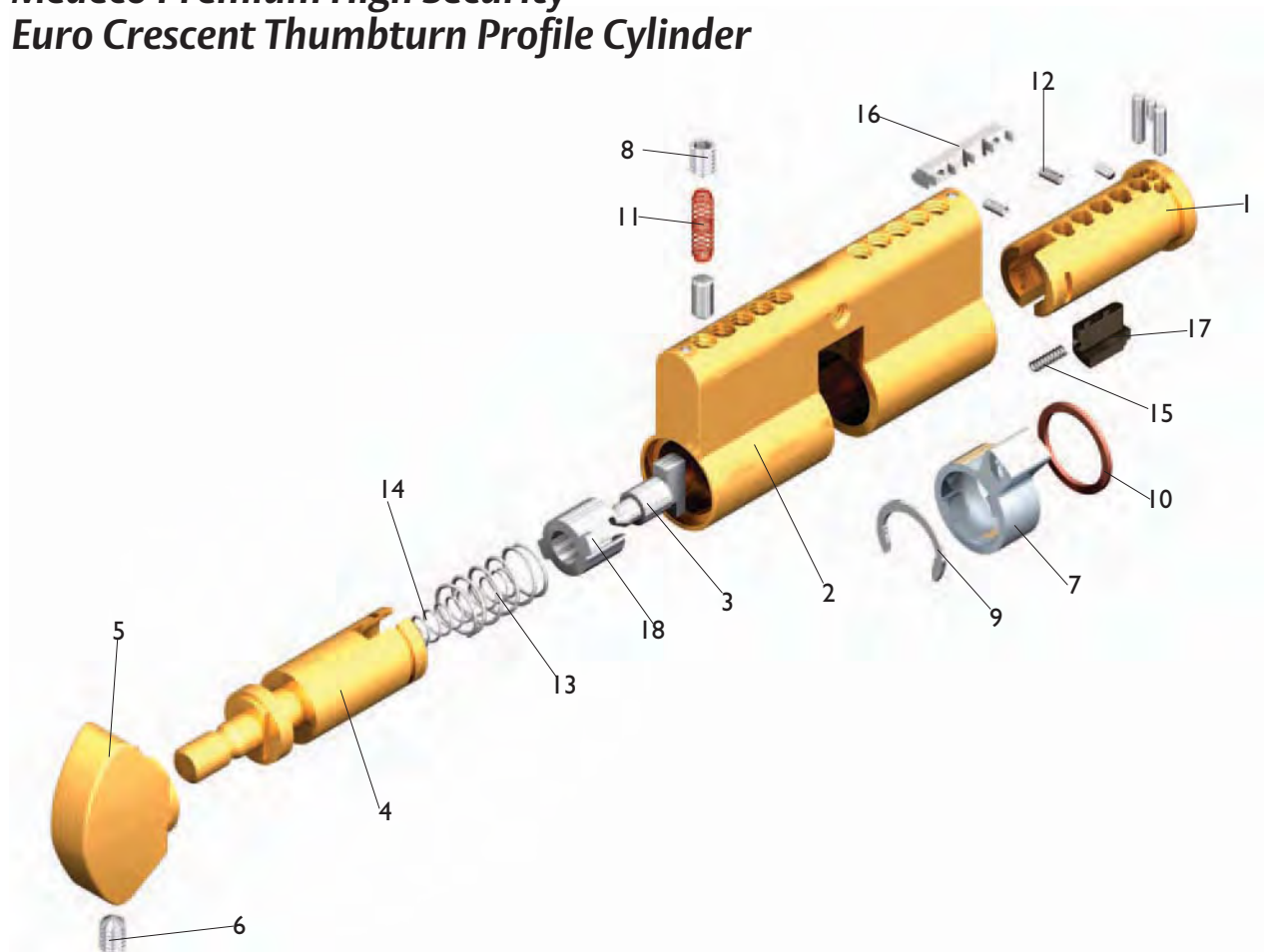
Item	Description	Part Number
1	Key	As Required
2	Plug	Cylinder Specific
3	Shell	Cylinder Specific
4	Sidebar Springs	CP-030018
5	Sidebar, 6 Pin	CP-084671
6	Plug Retainer	CP-021040
7	Plate	CP-180830
8	Tailpiece	CT-Y76
9	Bottom Pins	As Required
10	Top Pins	As Required
11	Springs (Phosphor Bronze)	CP-030001
12	Pin Chamber Allen Set Screws #8-32 x 1/4"	CP-011013-040
13	Crescent Steel Inserts	CP-180011
14	Slider	CP-084591-XX
15	Slider Spring	CP-030910

Medeco Premium High Security Emergency Clutch Function Euro Profile Cylinder



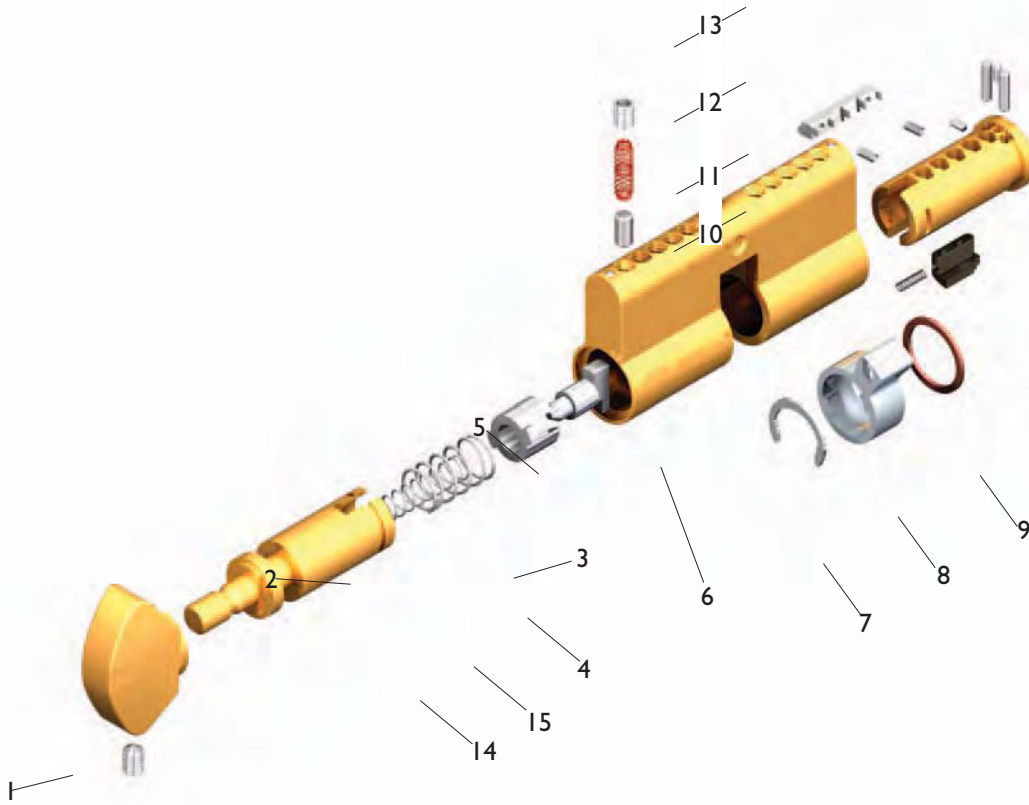
Item	Description	Part Number
1	Plug	Cylinder Specific
2	Shell	Cylinder Specific
3	Sidebar Assembly	CP-084X71-
4	Sidebar Spring	CP-030018
5	Cam Profile Emergency	CT-Z89
6	Retainer	CP-021490
7	Slider	CP-084591
8	Slider Spring	CP-030910
9	Clutch Assy. EME	CP-220120
10	#8-32 x 1/4" Set Screw	CP-011013-040
11	Tumbler Spring	CP-030001
12	Top Springs	As Required
13	Bottom Pins	As Required

Medeco Premium High Security Euro Crescent Thumbturn Profile Cylinder



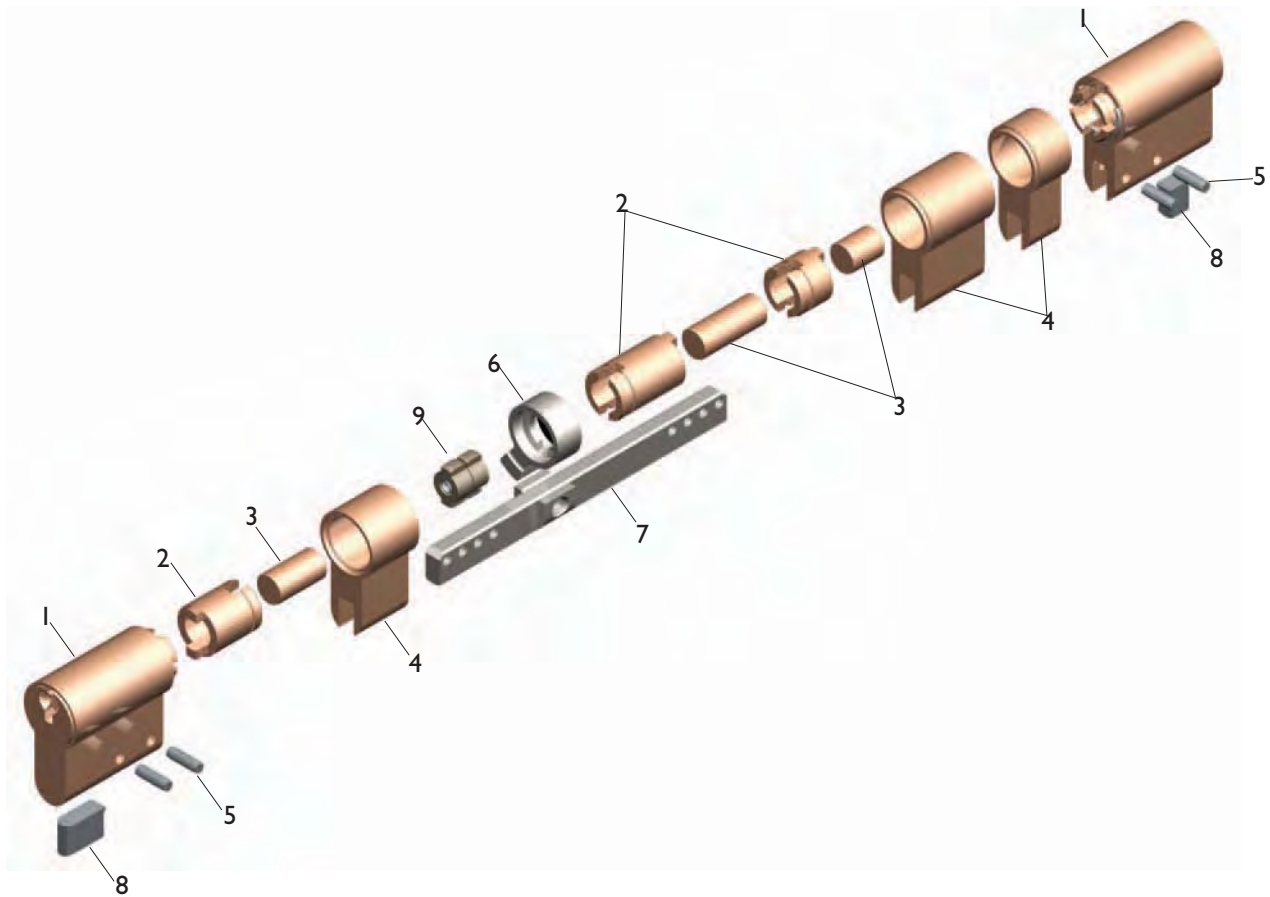
Item	Description	Part Number
1	Plug	Cylinder Specific
2	Shell	Cylinder Specific
3	Actuator Pilot	CP-280261
4	Thumbturn Shaft	CP-240761-XXX
5	Crescent "CR" Thumbturn	CP-286021-FN
6	Thumbturn Allen Set Screw	CP-012409-030
7	Cam	CT-Z51
8	#8-32 x 1/4" Set Screw	CP-011013-040
9	Retainer Ring - Thumbturn	CP-020031
10	Retainer	CP-021490
11	Tumbler Spring	CP-030001
12	Sidebar Spring	CP-030018
13	Pilot Spring	CP-030024
14	Activator Pilot Spring	CP-030025
15	Slider Spring	CP-030910
16	Sidebar Assembly	CP-084X71
17	Slider	CP-084591-XX
18	Key Actuator	CP-100111

Medeco Premium High Security Euro Double Profile



Item	Description	Part Number
1	Key	As Required
2	Plug	Cylinder Specific
3	Sidebar Springs	CP-030018
4	Sidebar, 5 Pin	CP-084571
5	Clutch	CP-220071
6	Shell	Cylinder Specific
7	Plug Retainer	CP-021490
8	Cam	CT-Z50
9	Plug Retainer	CP-021490
10	Bottom Pins	As Required
11	Top Pins	As Required
12	Springs (Phosphor Bronze)	CP-030001
13	Pin Chamber Allen Set Screws #8-32 x 1/4"	CP-0110113-040
14	Slider	CP-084591-XX
15	Slider Spring	CP-030910

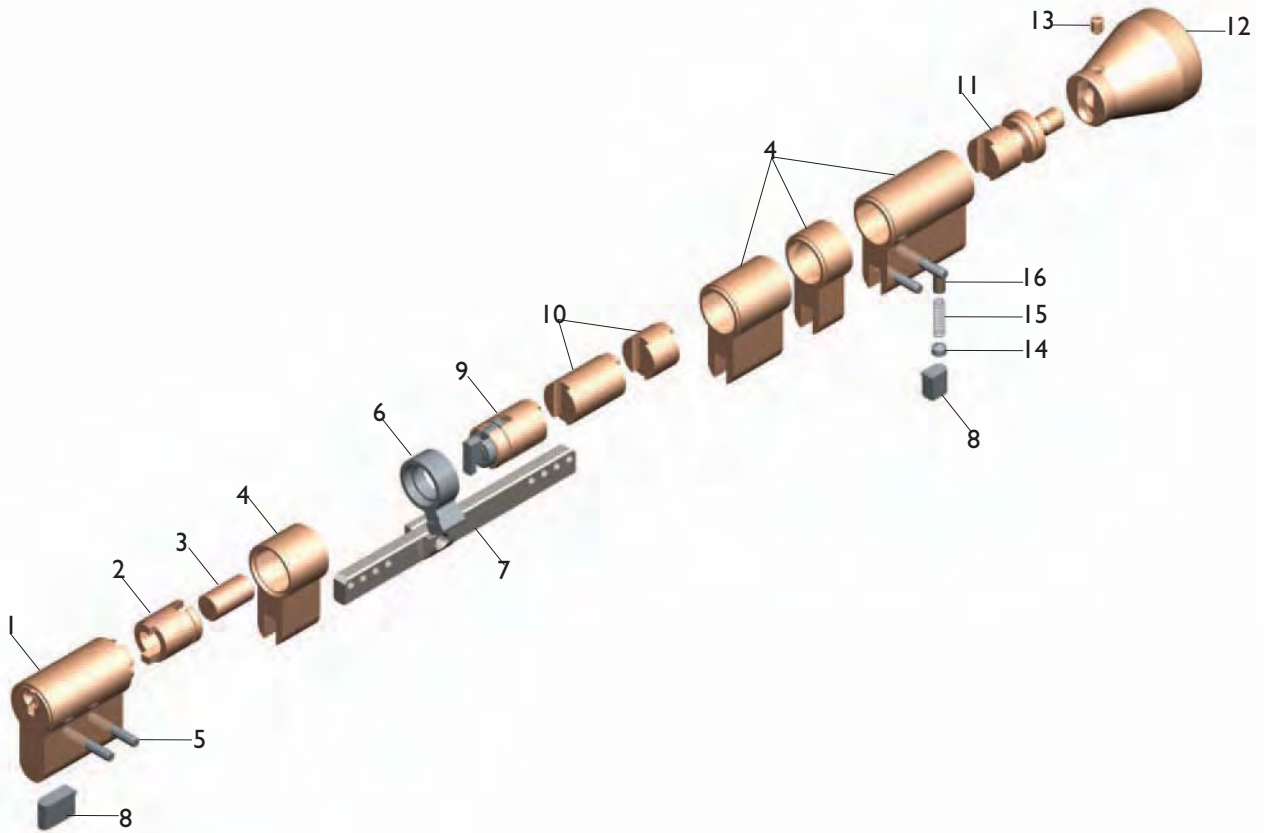
Medeco Premium High Security EuroLine Modular Profile Cylinder System



Modular Profile Double Cylinder

Item	Description	Part Number
1	Cylinder Module (5 or 6 Pin)	See Chart # 1
2	Outer Plug Extension	See Chart # 2
3	Inner Plug Extension	See Chart # 3
4	Brass Shell Extension	See Chart #4
5	Groove Pins	CP-063220
6	Cam	See Chart # 6
7	Connecting Bar	See Chart # 7
8	Bar Filler	See Chart # 8
9	Clutch Assembly	CP-220071

Medeco Premium High Security EuroLine Modular Profile Cylinder System



Modular Profile Single Cylinder with Thumbturn

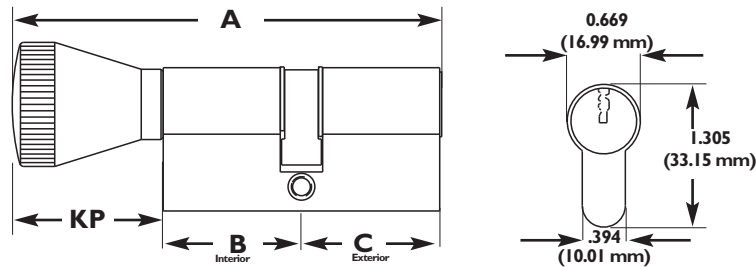
Item	Description	Part Number
1	Cylinder Module (5 or 6 Pin)	See Chart # 1
2	Outer Plug Extension	See Chart # 2
3	Inner Plug Extension	See Chart # 3
4	Brass Shell Extension	See Chart # 4
5	Groove Pins	CP-063220
6	Cam	See Chart # 6
7	Connecting Bar	See Chart # 7
8	Bar Filler	See Chart # 8
9	Thumbturn Actuator Cartridge	CP-220131
10	Thumbturn Cartridge Extension	See Chart
11	Thumbturn Shaft	See Chart
12	Thumbturn Knob	See Chart
13	Thumbturn Set Screw	CP-011013-020
14	Thumbturn Retaining Set Screw 8- 32 x 1/4"	CP-011013-040
15	Thumbturn Retaining Pin Spring	CP-030001
16	Thumbturn Retaining Pin	TP-F10-IT

Euro Profile Technical Information

A = Total Length
B = Interior Length

C = Exterior Length
KP =

EURO PROFILE SINGLE CYLINDER WITH THUMBTURN



Euro Profile Single Cylinder with Thumbturn

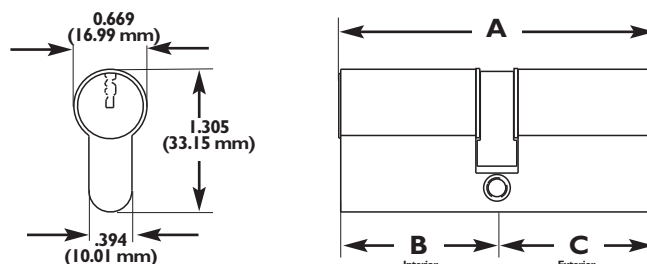
Part#	A	B	C	KP
23*13005-X00	99.04	31.98	31.98	35.08
23*13035-X00	81.44	31.98	31.98	17.48
23*13045-X00	83.09	31.98	31.98	19.13
23*13055-X00	84.1	31.98	31.98	20.14
23*13006-X00	107.68	36.3	36.3	35.08
23*13036-X00	90.08	36.3	36.3	17.48
23*13046-X00	91.73	36.3	36.3	19.13
23*13056-X00	92.74	36.3	36.3	20.14
49*0264	84.3	31.98	31.98	20.35
49*0291	92.94	36.3	36.3	20.35

Euro Profile Technical Information

A = Total Length
B = Interior Length

C = Exterior Length

EURO PROFILE DOUBLE CYLINDER

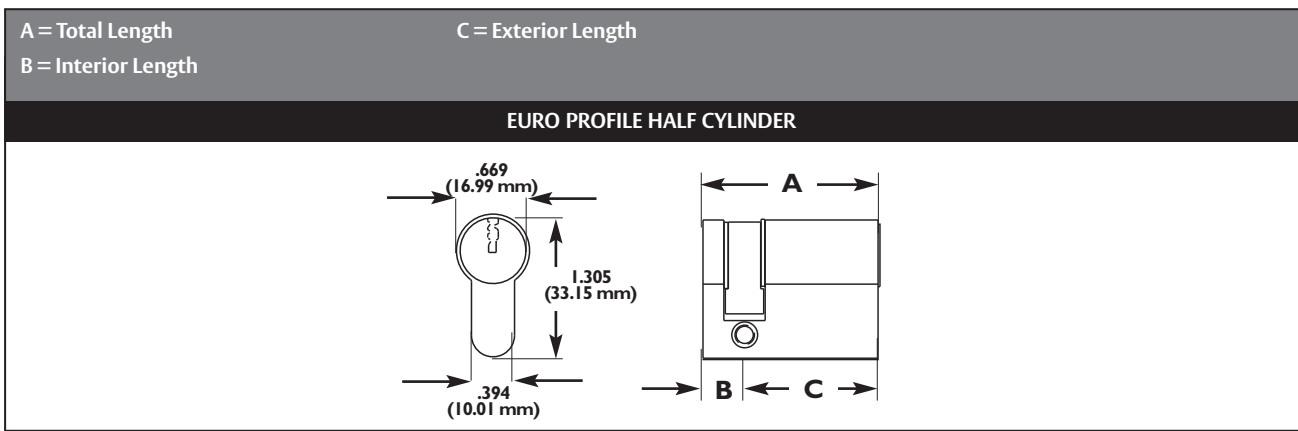


Euro Profile Single Cylinder with Thumbturn

Part#	A	B	C
23*13025-X00	63.96	31.98	31.98
23*13026-X00	72.59	36.3	36.3
23*13025-X01	68.96	31.98	36.98
23*13025-X02	73.96	31.98	41.99
23*13025-X11	73.96	36.98	36.98
23*13025-X12	78.97	36.98	41.99
23*13026-X01	77.6	36.3	41.3
23*13026-X02	82.6	36.3	46.3
23*13026-X12	87.6	41.3	46.3

All table measurements in millimeters.

Euro Profile Technical Information

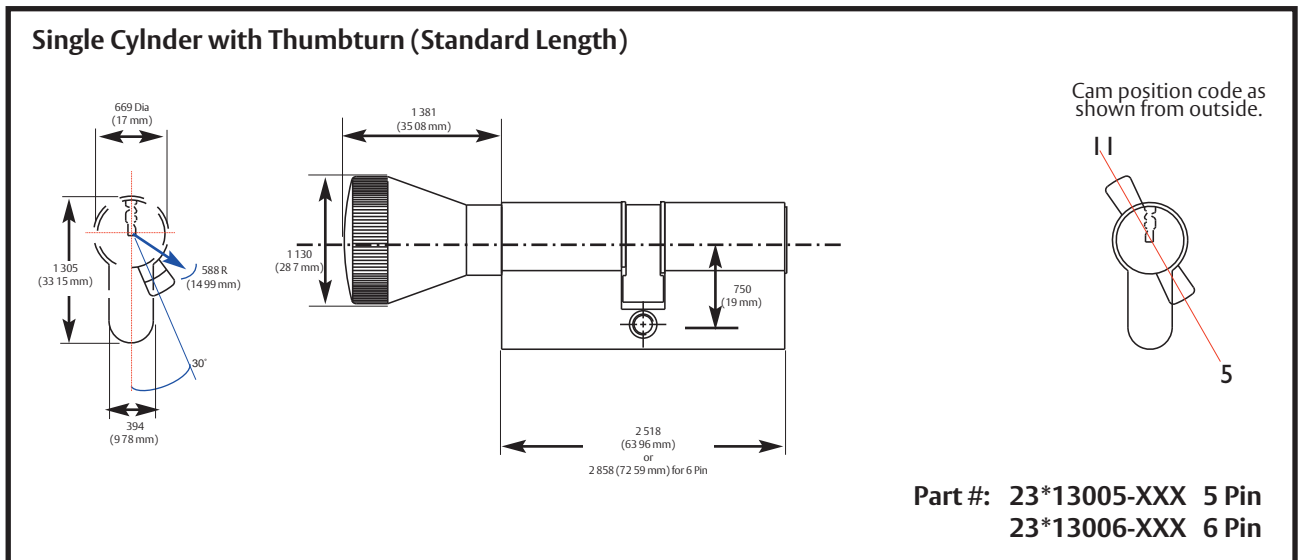


Euro Profile Half Cylinder

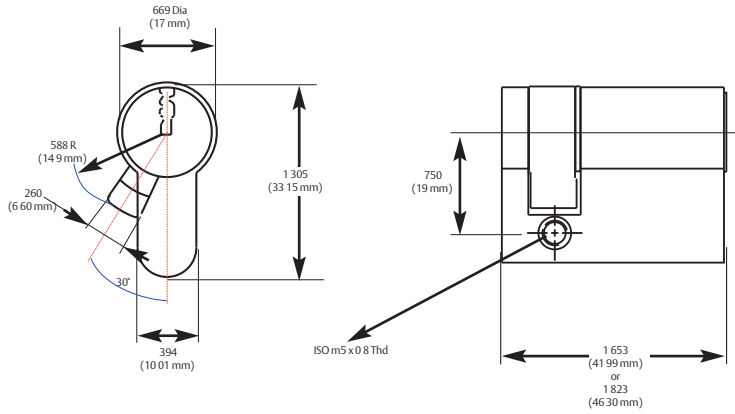
Part#	A	B	C
23*13015-800	41.99	10.01	31.98
23*13016-800	46.4	10.01	36.3
23*13015-801	46.99	10.01	36.98
23*13016-801	51.31	10.01	41.3

All table measurements in millimeters.

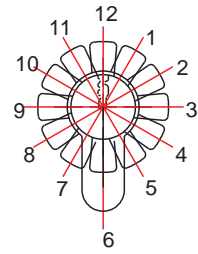
Euro Profile Technical Information



Half Cylinder (Standard Length)



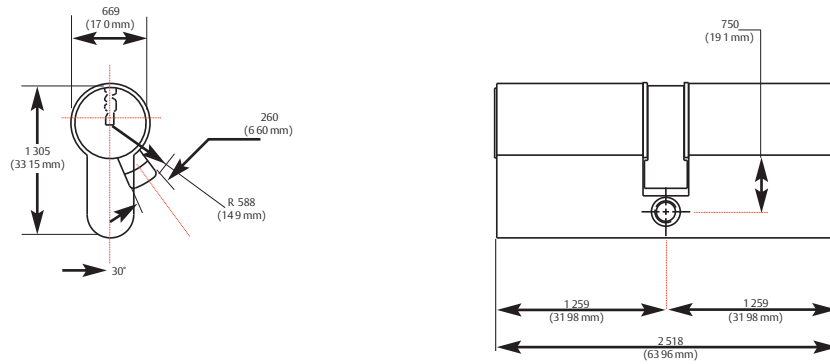
Cam position code as shown from outside.



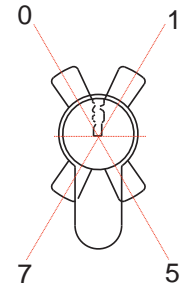
Multi-indexing cam with 12 positions. Cam is set at 5 o'clock from the factory

Part #: **23*13015-800 5 Pin**
23*13016-800 6 Pin

Double Cylinder 5 Pin (Standard and Extended)

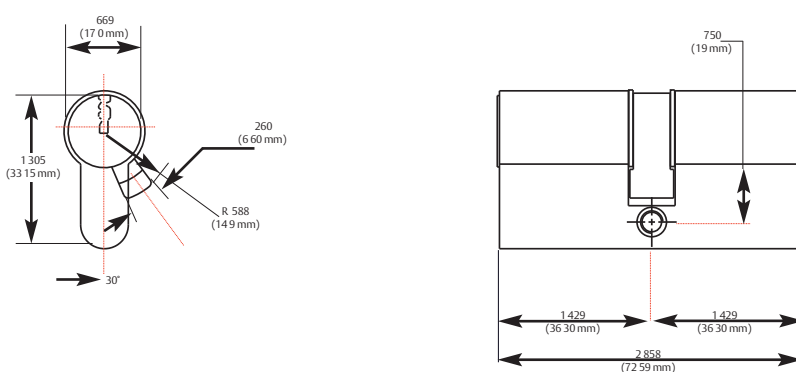


Cam position code as shown from outside.

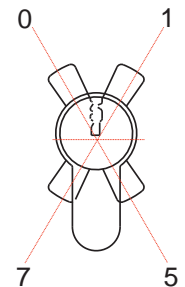


Part #: **23*13025-X00 5 Pin**
In 5mm steps up to 45mm

Double Cylinder 6 Pin (Standard and Extended)

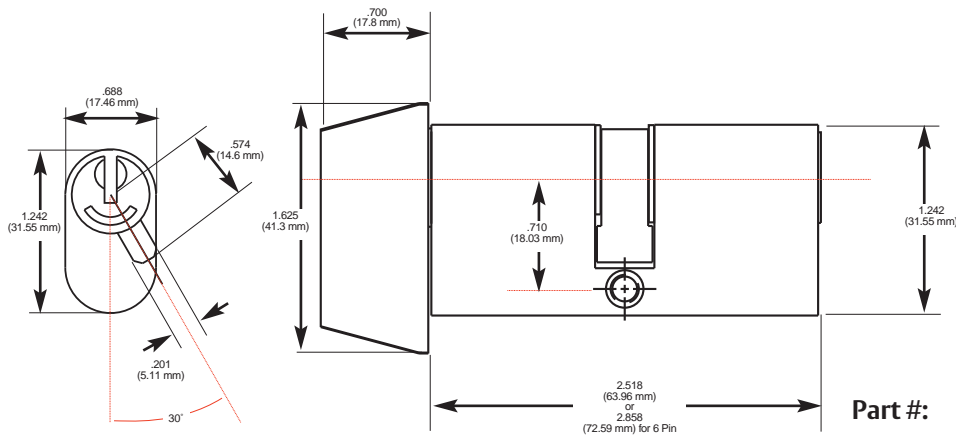


Cam position code as shown from outside.

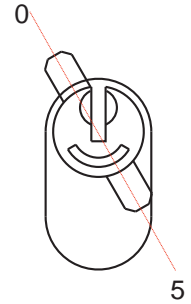


Part #: **23*13026-X00 6 Pin**
In 5mm steps up to 45mm

Union Single with Thumbturn

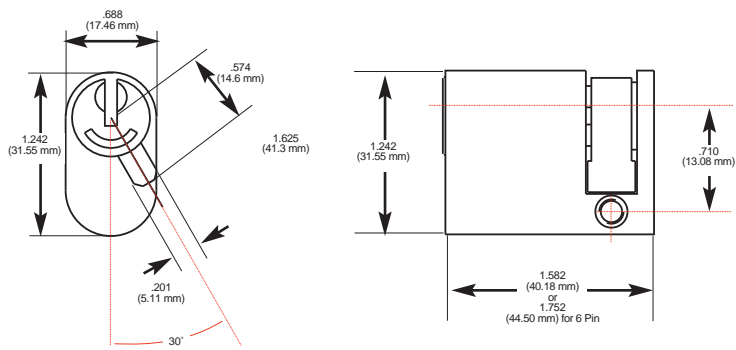


Cam position code as shown from outside.

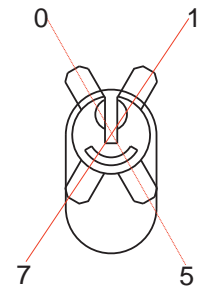


Part #: **23*04005-X00 5 Pin**
23*04006-X00 6 Pin

Union Half Cylinder

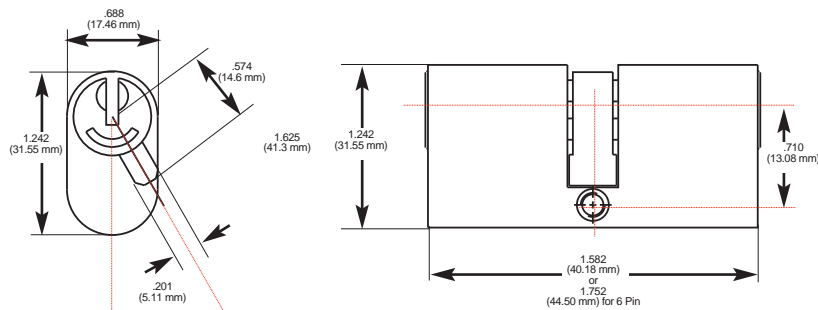


Cam position code as shown from outside.

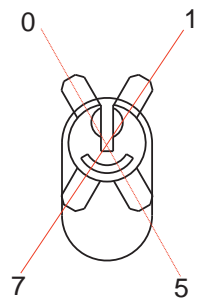


Part #: **23*04015-X00 5 Pin**
23*04016-X00 6 Pin

Union Double Cylinder

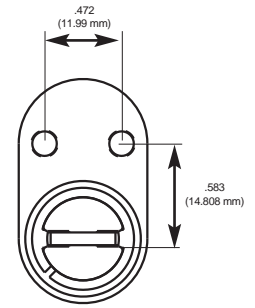
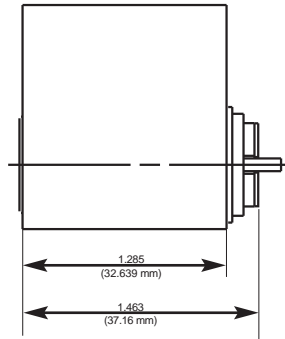
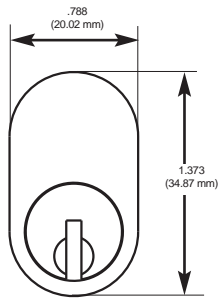


Cam position code as shown from outside.



Part #: **23*04025-X00 5 Pin**
23*04026-X00 6 Pin

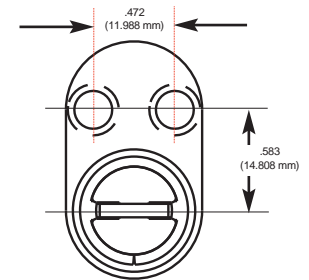
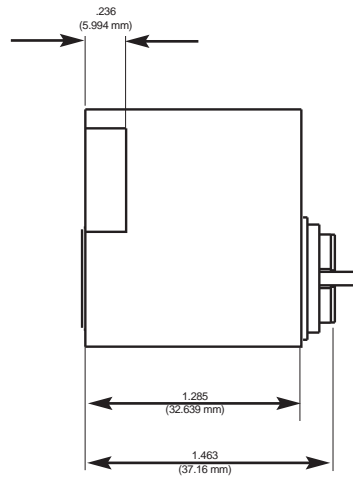
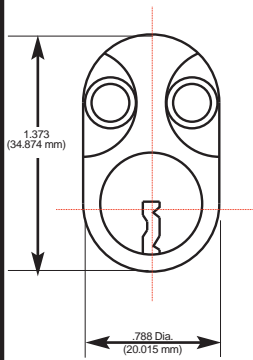
Scandinavian Oval - Exterior for ASSA/Ruko®



Tailpiece CT-Y76

Part #: 23*05016 6 Pin

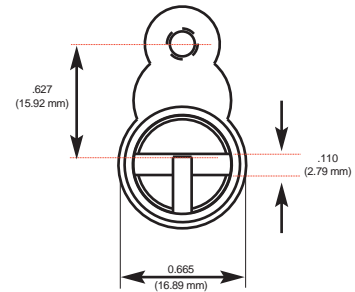
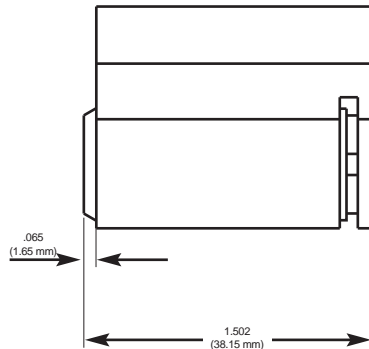
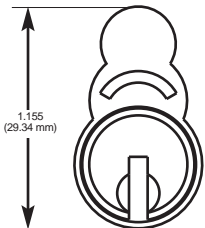
Scandinavian Oval - Interior for ASSA/Ruko®



Tailpiece CT-Y76

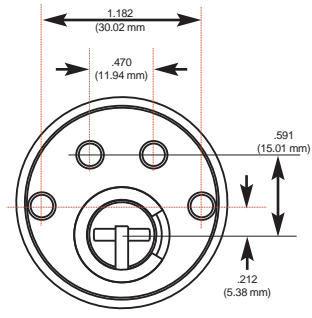
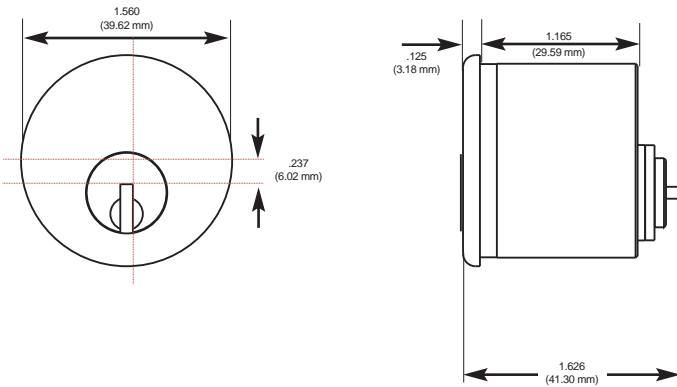
Part #: 23*06016 6 Pin

Scandinavian Padlock - for ASSA/Ruko®



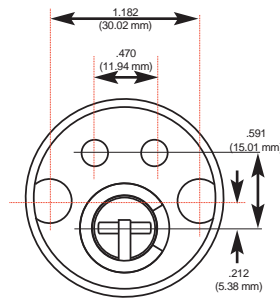
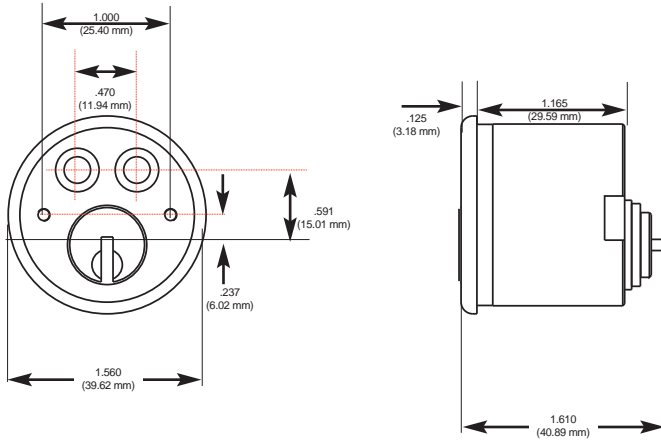
Part #: 23*08016X 6 Pin

Scandinavian Round Exterior - for ASSA/Ruko®



Part #: 23*09016X 6 Pin

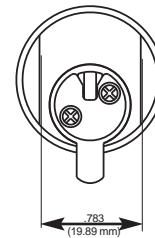
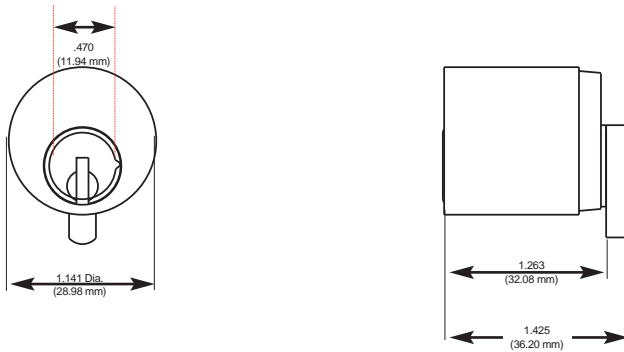
Scandinavian Round Interior - for ASSA/Ruko®



Part #: 23*10016 6 Pin

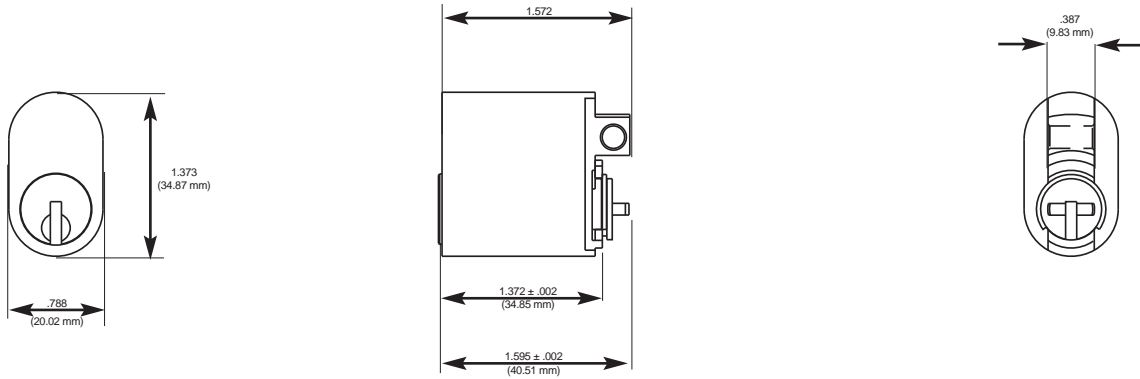
Danish Round - Exterior for Ruko®

Special pinning required due to chamber height



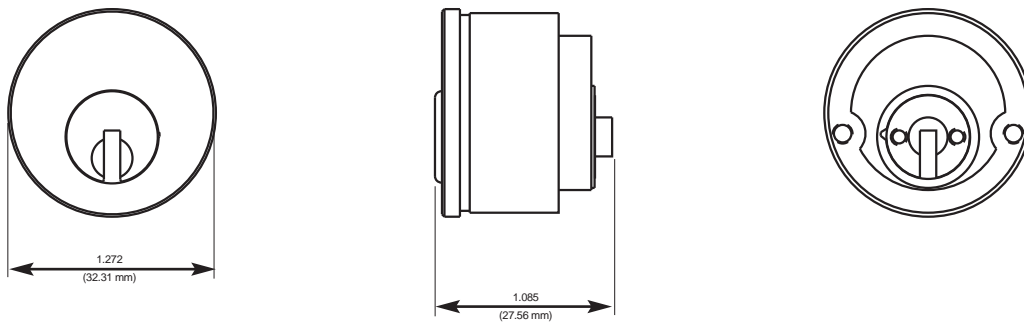
Part #: 23*01016 6 Pin

Norwegian Single Cylinder for Trio Ving®



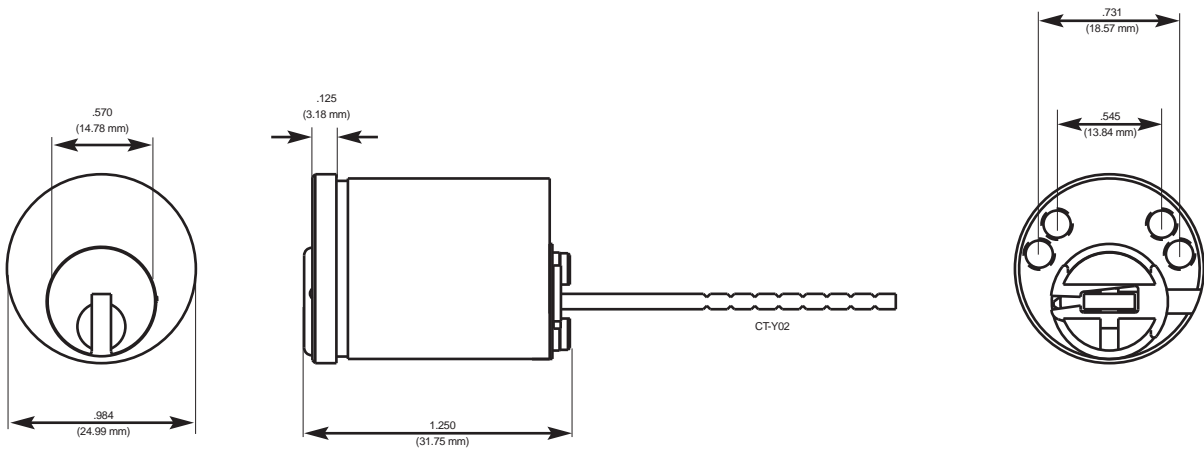
Part #: 23*070165 6 Pin

Italian Inner Gate Lock Cylinder Assembly



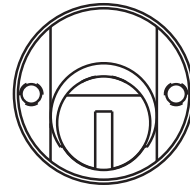
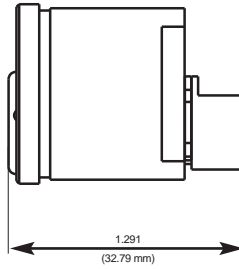
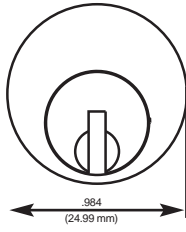
Part #: 23*14003 3 Pin

Italian Exterior Gate Lock Cylinder Assembly



Part #: 23*15005 5 Pin

Italian Roller Shutter Lock Cylinder Assembly



Part #: 23*16004 4 Pin